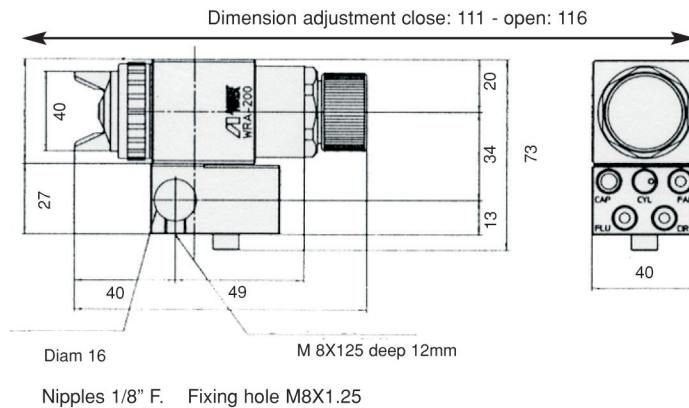
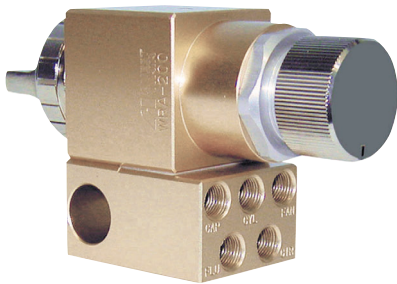
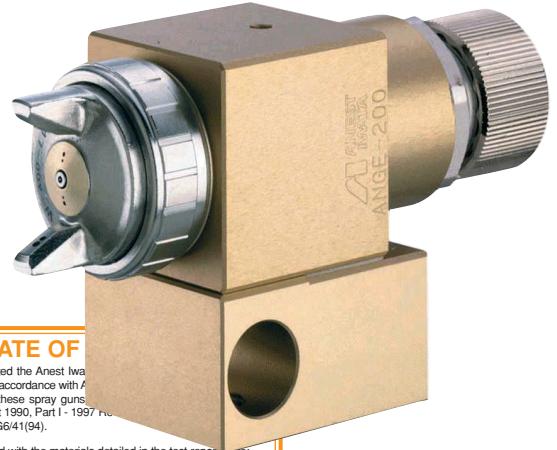


WRA 200 S8 Automatic Spray Gun



- High Transfer Efficiency
- Light Weight: only 460 g
- 2 fixing points
- Adjustable air cap, no need to disassemble
- Different air adjustment: air atomization and spray pattern
- 3 pneumatic commands needed
- Very compact
- External dimensions: 40 x 73 x 114 mm (without nipples)
- Accurate fluid adjustment knob lock mechanism
- Use: Robots, reduced spaces
- Immediate paint recirculation



Model	Type of feed	Ø mm	bar	NL/min	mL/min	mm	No.
WRA 200 S8	pressure	1.2	2.4	530	500	460	E2P

Max. Working Pressure: 6.8 bar (98 PSI)

Noise Level (LAeqT) 76.9 dB (A)

Temperature range: 5~40° C

Air nipple: G 1/4"

Fluid nipple: G 1/4"