

SAGOLA

an Elcometer company

3300 GTO



w w w . s a g o l a . c o m

THE NEW 3300 GTO SPRAYGUN

SAGOLA renews and improves the mid-high range of spray guns. The **New 3300 GTO**, is the result of the fusion of two of the most renowned products: **3300 PRO** (industry) and **4100 GTO** (bodyshop).

Its **new forged body** and **more ergonomic design** together with the **highest quality and efficiency nozzles** (High transfer), make a more attractive and versatile spray gun with an excellent value for money offering a **wide range of solutions** for different painting applications:



- Bodyshop (3300 GTO TECH/HVLP)
- Industry/Wood (3300 GTO EVO/EPA)
- Decoration (3300 GTO EPA)

The **New 3300 GTO** is launched with the highest SAGOLA manufacturing standards, competitive prices whilst maintaining a superb service and offering the **best warranty (3 years)**. All this with **strict compliance with the most demanding standards** of manufacture and emissions of solvents, with EPA and HVLP systems.

VERSIONS and AIRCAPS



3300 GTO CAR Version

	Box code	Version	Application	Regulator	 <p>GTOCAR Version includes RC2</p>
BODYSHOP FINISHES	10141550	1.20 [TECH]	Special bodyshop. Maximum performance and gloss with clearcoats and HS & MS single stage	 AIR FLOW REGULATOR WITH PRESSURE GAUGE RC2 (standard on these versions)	
	10141551	1.30 [TECH]			
	10141552	1.40 [TECH]			
	10141553	1.20 [HVLP]	Special colour. Maximum uniformity in waterborne basecoat. Maximum saving		
	10141554	1.30 [HVLP]			

3300 GTO Version

	Box code	Case code	Version	Application	
INDUSTRY	10141555	10141575	1.40 [HVLP]	Finishes and primers	Max. saving Min. mist
	10141556	10141576	1.60 [HVLP]		
	10141557	10141577	1.80 [HVLP]	Primer and fillers	
	10141559	10141587	1.30 [EVO]	High speed of application. Maximum spray quality	
	10141560	10141588	1.40 [EVO]		
	10141561	10141589	1.60 [EVO]		
INDUSTRY WOOD and DECO	10141562	10141578	1.40 [EPA]	Min. air consumption with great finishes Finishes, primers and fillers	
	10141563	10141579	1.60 [EPA]		
	10141564	10141580	1.80 [EPA]		
	10141572	10141585	2.20 [64S]	High viscosity products Waterborne solvent for wood	
	10141574	10141586	2.80 [62S]		



TECHNICAL ADVANTAGES

- 1 SUPER LIGHT TECHNOLOGY -METAL TO METAL-.**
Without sealing gaskets between components.
- 2 BODY in highly resistant ANODIZED FORGED ALUMINIUM.**
REGISTER DC 924667-0004 DESIGN REGISTER
- 3 NEW ALUMINIUM AIRCAPS.**
GTO TECH / GTO HVLP / 3300 EPA / 3300 EVO
Ultra-fine atomization and larger fans.
Designed for the best response at any pressure. With mechanized aerodynamic caps which eliminate turbulence and reverse painting.
- 4 One single piece AUTOMATIC PAINT PACKING GLAND.**
Unique in the market. It avoids manipulation and breakage of the glands and makes easier to remove it for a thorough cleaning of the paint area.
- 5 ERGONOMIC TRIGGER.**
Made of stainless steel. It reduces fatigue.
- 6 NOZZLE AND NEEDLE**
Made of stainless steel.
- 7 SINGLE SHAFT SYSTEM**
Directly continuing Xtreme model series with a simplified design, synchronized performance in any kind of situation, fewer parts, and maintenance reduction.
- 8 NEW COLOUR IDENTIFIER**
Perfect for differentiation spray guns when there are multiple painters. (COLOR CODE)
- 9 HIGH-PRECISION AIR FLOW REGULATOR**
Modern design without sharp edges, it makes easier the cleaning process. Better regulation precision. It avoids working loose unwittingly.
- 10 AIR FLOW REGULATOR WITH PRESSURE GAUGE.** It maintains the working pressure according to the parameters of Emissions regulations. (Green scale). Standard in TECH / HVLP bodyshop versions. Ref. 40000335

3300

GTO

**MINIMUM MAINTENANCE
MAXIMUM DURABILITY**



THE NEW 3300 GTO SPRAYGUN



BODYSHOP

- HS/MS CLEARCOATS
- SINGLE STAGE
- WATERBORNE
- METALLICS
- SILVER/PEARL

INDUSTRY/WOOD

- DYES
- LACQUER CLEARCOATS
- ENAMELS
- WATERBORNE SOLVENTS
- FONDS/FILLERS
- PRIMERS



VERSATILITY: WIDE RANGE OF SOLUTIONS DESIGN, FINISHING, ERGONOMICS

- At the forefront of **ergonomics**, **balance** and **comfort** when painting.
- **LIGHT** but **ROBUST** body, maintaining the construction in aluminium and stainless steel in all its pieces, giving it maximum **robustness** and **minimum maintenance**.
- **EASY AND SMOOTH USE**.
- **ANODIZED HIGH RESISTANCE** with **ANTI-CORROSIVE PROTECTION**.

Easier for cleaning and maintenance process.

LOW PAINT CONSUMPTION

- **Multiple nozzles**: to fit each need, offering the **highest performance** and **lowest air consumption** in their category.

All of them comply with **the most demanding solvent emission standards** (65-75% of product transfer).

- **HVLP aircaps** with maximum savings and minimum mist.
- **TECH aircaps** with maximum performance regarding time and ease of application. (Special bodyshop)
- **EVO aircaps**. Speed and efficiency in industry.
- **EPA aircaps**. Minimum air consumption. Maximum performance.
- **64S/62S aircaps**. Special high viscosity.



FUNCTIONAL ADVANTAGES

Everything in the **3300 GTO** gun is designed to offer the **highest durability** and **reduce maintenance**, with a careful selection of materials looking for the **balance between lightness and sturdiness**.

- **SINGLE SHAFT SYSTEM** Directly continuing Xtreme model series with a simplified design, synchronized performance in any kind of situation, fewer parts, and maintenance reduction.
- **NO JOINTS BETWEEN AIR AND PAINT** Without joints that can be manipulated when disassembling for cleaning in the paint area.
- **NO PNEUMATIC JOINTS** Mechanical air closures over unalterable dilations caused by cleaning solvents materials.
- **AUTOMATIC PAINT PACKING GLAND** Perfect fit to the needle in all circumstances. Lower risk of needle damage. Less paint contamination. Ease of complete disassembly of the product area for cleaning.



TECHNICAL DATA

- **Weight without cup:** 423 g.
- **Dimensions with cup:** 34.5 x 10 x 18 cm.
- **Needle and nozzle made of stainless steel**
- **Air inlet coupling:** 1/4"
- **Minimum product transfer:** 65% / 75%
- **Maximum inlet working pressure:** 2 bar
- **Cup capacity:** 650 ml.
- **Deposit with removable anti-drip system**
- **Air consumption:**

GTO TECH: 290 L/min	GTO HVLP: 360 L/min
3300 EPA: 240 L/min	3300 EVO: 320 L/min
- **Fan size:**

GTO TECH: 290-300 mm	GTO HVLP: 290-300 mm
3300 EPA: 250 mm	3300 EVO: 280 mm
- **Application distance:**

GTO TECH: 18-20 cm	GTO HVLP: 12-15 cm
3300 EPA: max. 18 cm	3300 EVO: max. 18 cm

REGULATIONS / PATENTS / REGISTRIES

- All SAGOLA products meet the strictest **safety standards** for the manufacturing of painting equipment. SAGOLA products comply with **EC regulations** and all the **ATEX standards**.
- To **protect itself against copies and counterfeits**, SAGOLA **register** the **shape of its guns** and, naturally, registers its **trademark worldwide**.

REGULATIONS

- CE
- EN 1953
- ATEX  II 2 GX
- SQMDA 1151
- SQMDA 1136

SAGOLA GUARANTEE

SAGOLA offers a **3-year guarantee** for its entire product range that covers any design or manufacturing defect in its products. Any defect in its design will be repaired or replaced free of charge to the client.

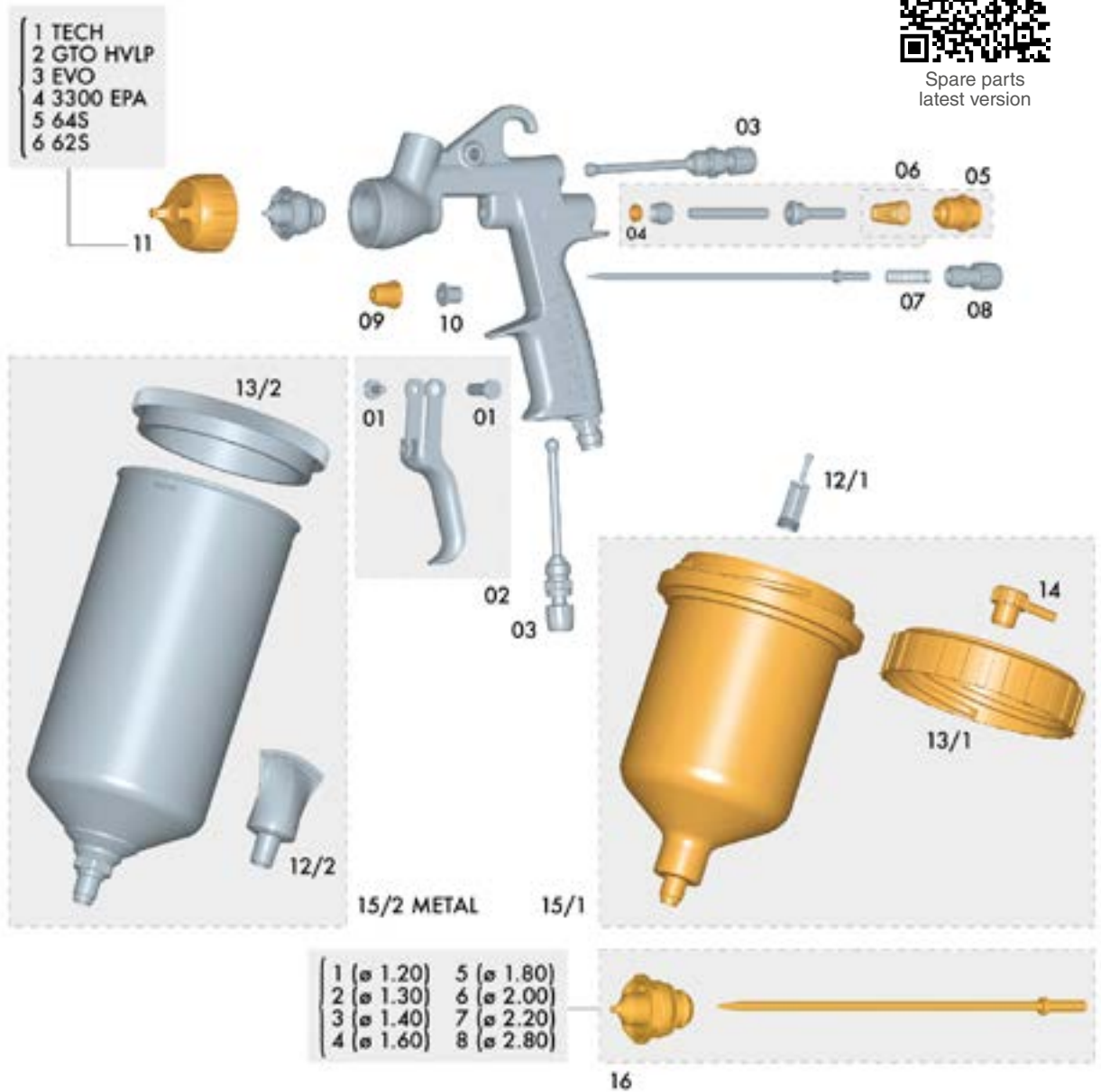


SPARE PARTS SERVICE GUARANTEE

SAGOLA is synonymous with quality and service. For this reason SAGOLA offers comprehensive **guarantee of the service of components and spare parts** for the perfect maintenance of all its products, even those sold over 10 years ago.



Spare parts latest version



Critical parts are those that can produce a malfunction in a spray gun: Wearing parts, seals, gaskets, glands... Sagola spray guns contain **ONLY 6 CRITICAL PARTS** (■). Just 6 references to store and provide a 100% effective after-sales service.

SPARE PARTS

3300 GTO

N°	Code	Description
01	56418429	screw + gun trigger sahft kit (short)
02	56418637	Spray gun trigger kit
03	56415254	Fan regulator
04	56418494	kit valve washer (6 units)
05	56418701	Product needle + spring kit
06	56418664	Valve kit
07	56410072	Spring
08	57810342	Product regulator wheel
09	57212211	Packing nut complete
10	51910608	Trigger needle guide bushing
11/1	56418551	GTO TECH aircap
11/2	56418552	GTO HVLP aircap
11/3	56418558	GTO EVO aircap
11/4	56418545	3300 EPA aircap
11/5	56418546	64S aircap
11/6	56418547	62S aircap

SPARE PARTS

3300 GTO

N°	Code	Description
12/1	56418438	Gravity filters kit
12/2	56418003	Product filter kit (gravity) x10
13/1	57111508	Gravity cup lid 0.65 L
13/2	57111513	Tank top cover gravity 1.00 L (plastic)
14	55712157	Connection plug dripless
15/1	56418085	0.65 L Gravity cup
15/2	56418082	Aluminium cup
16/1	10011180	1.20 nozzle + needle kit
16/2	10011191	1.30 nozzle + needle kit
16/3	10011181	1.40 nozzle + needle kit
16/4	10011182	1.60 nozzle + needle kit
16/5	10011183	1.80 nozzle + needle kit
16/6	10011188	2.00 nozzle + needle kit
16/7	10011192	2.20 nozzle + needle kit
16/8	10011190	2.80 nozzle + needle kit



ACCESSORIES and COMPLEMENTS

REMEMBER, always use original SAGOLA spare parts in order to guarantee the proper operation of your painting equipment

Ref. 10780102



PACK6000X AIR HEATER

Temperature stability both in compressed air and in final painting elements, hose and spray gun. Reduces drying times. Electronic temperature control.

4000 SERIES AIR FILTERS

Extremely smooth operation, maximum precision. Fast release, instant decrease in pressure. Air-assisted regulator. Constant and regular air supply. Aluminium bodies. CNC mechanisation. Totally robust. Unattended evacuation of liquids and impurities.



4120PLUS
Ref. 10730502



4220PLUS
Ref. 10750402

COUPLINGS For disposable deposits. "PPS" types

- Ref. 55711607 C. for disp. deposits 3M PPS
- Ref. 55711617 C. for disp. deposits MIPA-CARWOX
- Ref. 55711609 C. for disp. deposits GERSON-NORTON
- Ref. 55711610 C. for disp. deposits FLEXI-CUP
- Ref. 55711619 C. for disp. deposits DEVILBISS-DEKUPS
- Ref. 55711621 C. for disp. deposits SATA RPS



RC2

Flow regulator with pressure gauge.



Ref. 40000335

FACE MASK 4240. Breathing equipment including: face mask, belt, active coal filter, preset regulator, 10m of hose + safety sockets, 1.5 m of hose and outlet for spray gun.

Approval: 89/686/CEE (EPI) Ref. 15830101



CLASSIC MP2 and MP300

Face mask with paint filter. For organic vapours and solvents.

Approval: FBC - 9086 A

Ref. 14810201 (MP2)

Ref. 14810301 (MP300)



Classic MP2



MP300



AIR HOSES. Antistatic and anti-adherent hose. Great flexibility and lightness. Clamping fittings for maximum safety. Inside diameter of 8mm, enough for any model of spray gun.

Ref. 56414024 (6 m.) /56414025 (11 m.)

QUICK COUPLING. Made of brass and steel, seal and safe closure. Available in safety and aluminum version (ultra-light). Handle made of composite. High flow. Maximum resistance to attrition and pull.



CLEANING KIT

Compleat cleaning set.

Ref. 40000249



LUBRICANT GREASE

Ref. 56418589



3300 GTO

3M
3M
3M
GETO

SAGOLA ®
an Elcometer company

SAGOLA S.A.U. will refuse any responsibility for the damage of defects caused by spray guns with a similar appearance to the originals.

These guns are imitations that **HAVE NOT BEEN MANUFACTURED BY SAGOLA, S.A.U.**

The SAGOLA S.A.U. products are exclusively sold through our distributors, with spare parts and a 3-year worldwide guarantee against design and/or manufacturing defects.

SAGOLA S.A.U. has always displayed the quality of its products with pride, but lately, in view of its ever more demanding clients, it has obtained certifications that vouch for the guarantee of its know-how and its impeccable organisational quality.



SAGOLA, S.A.U.

Urarte, 6

01010 Vitoria - Gasteiz
(Álava) SPAIN

Tel.: (+34) 945 214 150

Fax: (+34) 945 214 147

sagola@sagola.com

www.sagola.com

**MADE IN
SPAIN**



**CE UK
CA**