

SAGOLA ®

120

**HARDWARE AND
DECORATION
PAINTING EQUIPMENT**



SAGOLA can trace its origins to the year 1955 and is fruit of the pioneering spirit of its founder, Alejandro Sánchez Larrauri. It began as a small subcontracting workshop for industry. After some years in the subcontracting sector, Larrauri felt the need to manufacture his own product and progressively withdraw from subcontracted activity.

The chosen product was the spray gun. This new era for SAGOLA was crowned by the manufacture and sale of the mythical ALM 401 spray gun. From that very moment SAGOLA began to make and distribute a large number of spray gun models and other complements used in the coatings sector such as air filters, pressure pots, and an endless list of equipment for the most varied applications.

Due once again to the entrepreneurial spirit of the SAGOLA team, the need was felt to open the company to the international market. For that reason the Company began operating in related markets such as Latin America, where it soon became the indisputable leader, later expanding to Arab countries, Asia and finally Europe. Today, SAGOLA is present in more than 80 countries worldwide.

SAGOLA has maintained the highest quality standards in the manufacture of its products from its very beginnings, which has contributed to become a very important competitor in sectors such as bodyshop and industry.

Today, after 65 years, SAGOLA is still a 100% family company, a vital reason why it is a dynamic company able to adapt rapidly to changing market situations.

Nowadays SAGOLA is much more than a manufacturer of spray guns and has become a group of companies also engaged in the manufacture of aeronautic components and components for the bio-medicine sector.



Main Index

Catalogue 2020

AEROGRAPHIC SPRAY GUNS

Page 4/6

*Classic Pro XD Gravity | Classic Lux Gravity | 3300 GTO Suction |
Classic Pro Suction | Classic Lux Suction | Junior G |
472 Pro + compresor 777 |*

PAINTING KITS

Page 7

Junior Kit | Super Kit |

RETOUCHE AND AIRBRUSHING

Page 8

Junior 140 | Junior Star | 474 | Airbrush accessories |

DECORATION SPRAY GUNS

Page 9/10

*Premium 429 N | Classic Gotele Gravity | Classic XD Smooth |
4001 Gotele Pressure | Premium 419 |*

PRESSURE POTS

Page 11

610 | Full equipment 610 + Classic Lux Pressure | Classic 30 Inox |

TURBINES

Page 12

Turbo 2200 Pro | 455 Spray gun | Turbo 1000 |

GENERAL APPLICATIONS

Page 13/14

*3900 Plus sealers | Classic S1 blowers | Classic Venturi blower |
Classic 414 | Classic P1 |*

SPECIAL APPLICATIONS

Page 15

*Classic I Plus inflating gun | Classic I 2 inflating gun |
Pneumatic undercoating gun 416 | Pressure Adhesives |*

FILTERING SYSTEM

Page 16/17

Plus series filters | FR | FRL | RA |

COMPRESSED AIR ACCESSORIES

Page 18

Quick couplings, Threaded couplings |

HOSES

Page 21

Compressed air hoses | Product hoses |

PERSONAL PROTECTION

Page 22

Classic MP2 | FFP2 Masks | MP300 |

INDUSTRIAL ACCESSORIES

Page 23

1200 X Polisher | L series sanders | Scissor rack |

SPRAY GUN ACCESSORIES

Page 24/25

*Air flow regulators | Accessories for cleaning and maintenance |
Gravity and suction deposits and accessories | High transfer aircaps |
Conventional Spray Aircaps | Nozzle + Needle Kits |*



Gravity
 spray guns

**Classic Pro XD gravity and
 Classic Lux gravity**

Classic Pro XD

Maximum ergonomics and comfort

New body design

No joints between air and paint

Internal air distributor

Nozzles & needles in Stainless steel

Chromed Mate

The best price/quality ratio in
 conventional primer spray guns.

A new body with improved ergonomics, the widest
 range of responses and application solutions and
 complies with the strictest safety standards and
 with the strictest standards on solvent emissions,
 distinguish the new model Classic Pro XD.

Single axis system, minimum parts.
 One single piece automatic paint packing gland.
 No gaskets.



Code	Version	Application
10141620	1.40 [21EPA]	Finishes
10141623	1.60 [21EPA]	Finishes and primers
10141625	1.80 [21EPA]	Primers and basecoats
10141627	2.20 [25]	Thick primers
10141629	2.50 [36]	High Viscous
10141630	2.80 [28]	Gun applied mastics
10141621	1.40 [HVLP]	Finishes
10141624	1.60 [HVLP]	Finishes and primers
10141626	1.80 [HVLP]	Thick primers
10141631	2.50 [HVLP]	High Viscous

TECHNICAL DETAILS

- > Weight without deposit: 434 g
- > Dimensions: 34.5 x 10 x 18 cm
- > Air inlet coupling 1/4" male
- > Design pressure: 8 bar
- > Recommended maximum working pressure: 2 bar
- > Recommended distance of application:
HVLP: max. 15 cm.
21 EPA & 25/36/28: max. 18 cm.
- > Maximum paint flow output
 (1.4 mm. 20" nozzle):
21 EPA Aircap: 192 g/min
HVLP Aircap: 189 g/min
- > Air consumption:
HVLP Aircap: 280 L/min
21 EPA Aircap: 240 L/min
25/36/28 Aircap: 320 L/min



Classic Lux

Robust and economical

Light and versatile

Economical gravity spray gun.
 Conventional painting system with
 very low air consumption.

New body. Maximum ergonomics.

Light and versatile. High reliability.

Air, paint and air flow regulators.

Gravity deposit with anti-drip system.



TECHNICAL DETAILS

- > Weight with deposit: 720 g
- > 0.65 L. deposit with anti-drip system
- > Air consumption: 240 L/min at 3.5 bar
- > Incorporates paint filter
- > Stainless steel nozzle and needle

Code	Version	Application
20141401	1.60 [40]	Finishes
20141402	1.80 [40]	Primers and basecoats
20141404	2.00 [41]	Thick fillers. Primer
20141403	2.50 [42]	Highly viscous fillers, gun-applied mastics

3300 GTO suction, Classic Pro suction and Classic Lux suction

3300 GTO

Light and robust

Maximum ergonomics

Time saving

Top quality aluminium aircaps



Code	3300 Pro Suction
10120910	1.40 [EPA] Finishes, dyes
10120911	1.60 [EPA] General finishes
10120912	1.80 [EPA] Primers

Light, injected aluminium body. This is a top level product with a magnificent price-quality ratio. Versatile. High performance. High speed of application. Large fan size.

TECHNICAL DETAILS

- > Weight with deposit: 928 g
- > Dimensions including deposit: 28.5x11x18.5 cm
- > Deposit capacity: 1 L
- > Air inlet coupling: 1/4"
- > Design pressure: 8 bar
- > Maximum recommended inlet pressure: 2 bar
- > Recommended application distance: 15-18 cm
- > Air consumption (2 bar inlet): 235 L/min
- > Average sound pressure level: 80 dB
- > Materials in contact with product: anodized aluminium, chromed aluminium, POM, INOX, Teflon.



Classic Pro

Maximum ergonomics

Maximum robustness and reliability

Máxima robustez y fiabilidad

Code	Version
10120701	1.60 [21] General finishes
10120702	1.80 [21] Primers and basecoats

The best price-quality ratio in conventional spray guns. Light injected aluminium body. Single spindle design means fewer parts. Regulators in aluminum. Stainless steel nozzle and needle. One-piece packing nut. There are no O-rings.

TECHNICAL DETAILS

- > Weight with deposit: 928 g
- > Deposit capacity: 1 L
- > Air inlet coupling thread 1/4" male
- > Maximum air pressure: 8 bar
- > Maximum recommended inlet pressure: 2.5 - 3.0 bar (conventional)



Classic Lux

Robust and economical

Light and versatile

Code	Version
20121101	1.60 [38] Industrial finishes, Primers
20121102	1.80 [39] Primers

Economical gravity spray gun. Conventional painting system with very low air consumption. Maximum ergonomics. Light and versatile. High reliability. Air, paint and air flow regulators.

High capacity suction deposit, 1 liter. Fastening with flange, anti-drip lid and closure gasket.

TECHNICAL DETAILS

- > Empty weight: 870 g
- > 1 L. deposit with paint filter
- > Air consumption: 240 L/min at 3.5 bar
- > Incorporates paint filter
- > Stainless steel nozzle and needle





**Junior G gravity
 472 Pro suction**

Junior G

Junior G
 New matt chrome body
 SAGOLA exclusive design
 New aircaps
 High transfer



Junior G blister



Light and economical gravity spray gun with air valve, high transfer and very low air consumption.

Robust, light and with new ergonomic design proper to work with 1.5 HP compressors.

Product and fan regulators.

Blister or box presentation.



TECHNICAL DETAILS

- > Dimensions: 32.5x17x10 cm
- > Air consumption: 150 L/min
- > Recommended maximum pressure: 2 bar
- > Weight: 480 g
- > Capacity of deposit: 0.6 L



472 Pro

Maximum ergonomics
 Low air consumption
 Minimum mist

Code	Version
10130102	472 Pro

Code	472 Pro + 777 compressor
10610102	472 Pro + 777 compressor 240V - 50Hz
10610106	472 Pro + 777 compressor 110V - 60Hz



Pressurised spray gun with internal mix aircap permitting operation at extremely low air consumption -only 65 L/min- and very low pressure -1-2 bar.

It is designed for multi-use, always achieving top quality finishes even with medium viscosity products.

Spray production system with internal mix through two aircaps. New aircaps giving perfectly uniform, top-quality fan: adjustable from circular to perfectly flat. Ideal for single component products. Easy to handle. Totally portable. Internal atomisation track. Continuous air flow. Low level of mist and noise. Clean air - no oil. Application of varnishes and primers.

TECHNICAL DETAILS

- 472 Pro**
- > Maximum pressure: 3.5 bar.
 - > Recommended working pressure 1 - 2 bar.
 - > 600 c.c. deposit

- Premium 777**
- > Displaced air: 65 L/min
 - > Electric voltage: 240 V/50 Hz single-phase or 110 V/60 Hz
 - > Power: 180 w
 - > Maximum pressure: 3.5 bar
 - > Weight: 3.7 kg



Super Kit and Junior Kit

Super Kit



Includes quick connector

Super Kit

Full professional kit



HARDWARE METAL DECORATION

Professional paint spray gun with stainless steel nozzle.
Petroleum spray cleaner with 1L deposit.
Highly accurate and durable inflator.
Metallic aircaps in P1 and S1.

Code

20160103



TECHNICAL DETAILS

- > Gravity spray gun: CLASSIC LUX
Ø Nozzle: 1.80 - Aircap [40]
- > Inflator - pressure checker: CLASSIC 1
- > Liquids Atomiser: CLASSIC P1
- > Blower: CLASSIC S1
- > Accessory tool

Junior Kit



Includes quick connector

Junior Kit

Full DIY kit



DECORATION D.I.Y.

Kit de bricolaje. Pintado, pulverización de líquidos, inflado y verificación de presión, manguera y conectores rápidos.

Code

20160105



TECHNICAL DETAILS

- > JUNIOR G Gravity spray gun
- > Blower
- > Air hose
- > Petroleum spray cleaner
- > Inflator



Junior 140, Junior Start and 474 Accessories for airbrushes

Junior 140

Medium-size nozzle: 0.8 mm

Code	Version
25410104	Standard



Double effect **airbrush for taking your first steps** in the world of feathering and bodyshop design

Comes with a full accessories kit.

Air hose and compressor adaptor included.



Junior Start

Code	Version
40000240	Standard



Basic starter airbrush, single effect, external mixing. Air hose and compressor adaptor included.

474

Built-in air-flow
 regulator

Code	Version
10151701	0.8
10151702	1.0

The 474 is an economical spray gun for retouching, small zone painting and parts marking.

TECHNICAL DETAILS

- > Weight with deposit: 325 g
- > Air inlet coupling thread 1/4" male
- > Maximum air pressure: 7 bar
- > 120 cc. deposit



ACCESSORIES Airbrushes

Air hose

Textile - 3 m.
 racord
 1/8"F - 1/8"M

Code

56414203

Textile - 3 m.
 racord
 1/4"F - 1/8"M

Code

56414209

Airbrush Clean 3NI

Airbrush
 cleaning
 recipient.

Code

40000241



Multi-airbrush rack

Bench-top airbrush
 rack.

Code

40000242





Premium 429 N, Classic Gotele Gravity y Classic XD Smooth



Premium 429N

With air inlet shut-off valve

Product anti-pack system

Stone paints, gotele and viscous products

Code

10140201

Special Nozzle + Needle KITS

Code	Version
56418065	3 mm. gotele Kit
56418066	Japanese pastes Kit
56418067	Liquid stone Kit

Code	Version
56418418	Kit boquillas 4.5, 6 y 8 mm.



Gotele

Stone paints

Japanese paste

Classic Gotele Gravity

With air inlet shut-off valve

Stone paints, gotele and viscous products

Code

10140202

Classic XD Smooth



Code	Version
10141640	2.00 [25] Multi-colours, products
10141641	2.50 [36] Multi-colours

Product and air-flow regulators.

High quality 5L paint deposit with handle and removable lid for cleaning.

Includes 4.5, 6 and 8 mm aircaps.

Trigger lock system for ease of continuous use.

Non-stick coating in the body of the spray gun for ease of cleaning.

Air consumption: 170 L/min. at 3.5 bar.



Product and air-flow regulators.

Trigger lock system for ease of continuous use.

With air inlet shut-off valve.

Includes 4.5, 6 and 8 mm. aircaps.

5L paint deposit with handle.

Spray gun with 5L deposit and handle. Ideal for the application of viscous products frequently used in decoration, such as plastics or multicoloured.

Non-stick coating in the body in order to make cleaning easier.

TECHNICAL DETAILS

- > Air consumption: 280 L/min at 3.5 bar
- > Empty weight: 1,100 g



Special KITS for painting ceiling

Code

56418068



Recommendations for use:

Use diaphragm compressors and continuous airflow for the application of decoration products (gotele, pastes and dense products).



4001 Gotele Pressure and Premium 419

4001 Gotele Pressure

Sturdy and minimum
 maintenance



Recommended pressure pots



Classic 30 Inox

Premium 30

High-performance gotele spray gun.

Stainless steel fluid nozzle and needle, for use with water-based products.

Great precision in droplet regulation.

Air consumption: 200 L/min. at 3.5 bar.

Code	Version	Application
20150701	2.80[2.8B]	Medium gotele, viscous products
20150702	2.20[2.2B]	Fine gotele
20150703	3.20[3.2B]	Coarse gotele, fine stone paints



Smooth paint,
 high viscosity



Goteles and Pastes



Stone pastes
 and Slurry



Premium 419

Ideal for stone pastes



Recommended pressure pots



Premium 30

Premium 60

Spray gun specially for stone pastes with air inlet shut-off valve. Includes 4.5, 6 and 8 mm aircaps.

Trigger lock system for ease of continuous use.

Non-stick coating in the body of the spray gun for ease of cleaning.

Air consumption: 90 L/min. at 2 bar.



Goteles and Pastes



PStone pastes
 and Slurry

Code	Version	Application
20151001	4.5 - 6 - 8	Stone paints





610 pressure pot, Classic Lux pressure and Classic 30 Inox pressure pot

Pressure pots

610

Pressure pot

Code

40000273

ATEX 2 II GX

Steel body and aluminium lid.

Top outlet.

Valid for solvent-based paints. Low and medium viscosity paints.

TECHNICAL DETAILS

- > 10 litre capacity
- > Steel body and aluminium lid
- > Without product agitator
- > Double regulation
- > Valid for solvent-based paints
- > Working pressure: max. 4 bar
- > Product outlet: 3/8"
- > Air inlet: 1/4"



Classic Lux Pressure

Full equipment

Code

Version

20151201

1.40 [21]
Paints, basecoats

20151202

1.80 [21]
Primers, acrylics

20151203

1.80 [27]
Multi-colours

10540798

1.40 [21]
Full equipment*



***Complete equipment (standard),** includes 610 pressure pot, Classic Lux Pressure 1.40 [21] and 5 m. product and air hose.

Code

56418417

Optional air-flow
REGULATOR



Ideal for the application of mid to low viscosity paints. Valid for solvent-based paints.

Light, robust and versatile. Low air consumption. Stainless steel nozzle and needle.

Quick connector.

TECHNICAL DETAILS

Pressure version

- > Weight: 432 g
- > Air consumption: 21 Aircap: 315 L/min.
27 Aircap: 195 L/min.

Classic 30 Inox

With handlebar, foldable for transport

Code

20530702

ATEX 2 II GX

30 L. pressure pot. (two bags of 25 kg. of paste). With handlebar, foldable for transport. Handle grip.

TECHNICAL DETAILS

- > Maximum working pressure: 7 bar
- > Bottom-mounted product outlet 3/4"
- > Empty weight: 31 kg.





Turbines Turbo 2200 Pro, Sagola 455 and Turbo 1000

TURBO 2200 PRO

**Large fan size
 Stainless steel
 needle and nozzle**

2-stage turbine equipment

Code	Version
30640401	Full Equip. 220 V / 50 Hz

Code	Version
56418663	Consumable: turbine filter kit 6 units

455

**Large fan size
 Stainless steel needle
 and nozzle**

Special spray gun for turbines



TURBO1000

TECHNICAL DETAILS

- > 220 V / 50 Hz - 120 V / 60 Hz
- > Power: 1,000 w
- > Max. pressure: 0.28 bar
- > Weight: 5.2 kg

Code	Version
49000312	Aluminum deposit Spray gun

Autonomous Turbine Equipment for all type of industry, with a power of 1,300 w.

Excellent atomization. Ideal for painting and assemblies works.

Metallic spray gun with fan and product regulator.

Deposit with anti-return valve, flange closure and anti-drip lid.

Removable double air filter.

Metallic spray gun with fan and product regulators.

Deposit with anti-return valve, flange closure and anti-drip lid.

Excellent atomization.

Ideal for painting and assemblies works.

Professional HVLP autonomous tool. Minimum mist.

Turbine unit valid for all types of paints, finishes, primers, multi-colours (includes two nozzle combinations as standard equipment).

Gun holder, cable reel and accessory holder.

Includes removable air filter.



TECHNICAL DETAILS

- > Electric motor: 220 V - 50 Hz
- > Power: 1,300 w
- > Free flow: 2,000 L/min.
- > Maximum pressure: 0.3 bar
- > Weight: 10 kg
- > Transfer: 75%



Combinations SAGOLA 455 Spray Gun

Code	Version	Application
10110501	1.40 [80]	Finishes, basecoats and primers
10110502	1.00 [80]	High gloss finishes and dyes
10110503	1.20 [80]	General finishes.
10110505	1.80 [80]	Viscous products, primers, acrylics.
10110506	2.20 [80]	Textured products, cast iron effect.



Code	Version
40000318	Full Equip. 220 V / 50 Hz
40000497	Full Equip. 120 V / 60 Hz

Selladoras 3900 Plus and 3900 Plus M4/6



**3900
PLUS M6**



**3900
PLUS M4**



**3900
PLUS**

3900 PLUS

Sturdy aluminum body

Quick Closing

Metal air distributor

Discharge valve

1/4" Standard Connection

The new 3900 Plus pneumatic sealers are a compact, efficient and light solution for everyday needs in any workshop. These pneumatic guns are very useful when it comes to structure assembling, repairs and windshield set-ups, among others.

There are two versions: the 3900 Plus for sealants in cartridges and the 3900 Plus M for sealants in sausages. Both versions include a trigger with discharge valve, which guarantees a great precision and control.

The metallic internal parts assure a long working life. Besides, those parts do not require any manipulation neither any maintenance.

Its body is made of high resistance aluminum. The front part on the 3900 Plus is made of non-deformable plastic.

The 3900 Plus sealers are a very strong product capable to work for long working hours.

3900 Plus

Code

10330201

3900 Plus M4

Code

10330401

3900 Plus M6

Code

10330402

TECHNICAL DETAILS 3900 PLUS - CARTRIDGE

- > Front part made in plastic.
- > Bead application of sealers and silicone in 300 ml. cartridges.
- > 1/4" Air inlet
- > Weight: 540 g / Length: 250 mm
- > Working pressure: 4 - 6 bar
- > Discharge valve to shut-off the product outlet when releasing the trigger.

TECHNICAL DETAILS 3900 PLUS M - SAUSAGE

- > Front part made in anodized aluminum.
- > Bead application of sealers and silicone in sausage: 300 & 400 ml. **3900 PLUS M4** 600 ml. **3900 PLUS M6**
- > 1/4" Air inlet
- > **3900 PLUS M4:** Weight: 560 g / Length: 250 mm
- > **3900 PLUS M6:** Weight: 570 g / Length: 320 mm
- > Working pressure: 4 - 6 bar
- > Discharge valve to shut-off the product outlet when releasing the trigger.

Classic S1

Blowgun

Made of aluminum

Light and robust

Code	Version
20340601	Metallic aircap
20340604	With extension
20340603	Plastic aircap

Classic S1 Venturi

High Air flow

Code
20340605

Classic 414

Pneumatic operation

Code
20330502



Classic P1

Metallic aircap

Adjustable flow

Code
20340701

Classic S1 blowers, Classic 414 and Classic P1

Three versions of the blow gun Classic S1:

- Classic S1 with metallic aircap.
- Classic S1 with extension.
- Classic S1 with plastic aircap.

Blowgun with body built in aluminum. Light but robust.

TECHNICAL DETAILS

- > 1/4" male coupling
 - > Air consumption: 240 L/min. at 6 (air inlet pressure)
 - > Working pressure: 3 bar - 10 bar
 - > Maximum pressure: 10 bar
 - > Classic S1 plastic weight: 187 g.
 - > Classic S1 metallic weight: 190 g.
 - > Classic S1 extension weight: 198 g.
 - > Classic S1 Venturi weight: 225 g.
- Classic S1 Venturi**
- > Air consumption: 240 L/min. at 6 (air inlet pressure)



Hand-held pistol for sand blasting to stipple or clean parts.

Consumption: approx. 280 L/min. Max. recommended working pressure 5 bar.

2 product caps:

- > Metallic, 5 mm.
- > Special high-strength ceramic material: 6 mm.



TECHNICAL DETAILS

- > 1L rapid closure deposit.
- > Metallic aircap
- > Adjustable flow
- > 1/4" male coupling.
- > Air consumption: 146 L/min. at 6 bar (air inlet pressure).
- > Working pressure: 3 bar. - 10 bar.
- > Maximum pressure: 10 bar
- > Weight: 770 g.





Classic I Plus and Classic I 2 inflating, 416 and Adhesives pressure

Classic I Plus

Inflating gun

Code

10310201

Professional inflating gun - pressure checker.
Manufactured in aluminium.
Maximum robustness and reliability.

TECHNICAL DETAILS

- > Hose length: 0.5 m
- > Working pressure: 0 - 10 bar
- > Shock-protected pressure gauge
- > Weight: 800 g



Classic I 2

Code

40000494

Inflating gun - pressure checker.
Shock-protected pressure gauge.

TECHNICAL DETAILS

- > Hose length: 0.3 m
- > Working pressure: 0 - 10 bar
- > Weight: 546 g

416

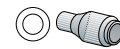
Code

20330401

Pneumatic gun for antigravel cartridges and underbody protection. Operation by suction.
Gun for the application of standardized acoustic insulation 1 L. cartridges. To be screwed directly to the cartridge. Adjustable metallic aircap to control the quantity and texture of the product.

TECHNICAL DETAILS

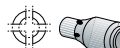
- > Empty weight: 520 g
- > Connection: 1/4" male coupling
- > Air consumption: 160 L/min at 3.5 bar air pressure
- > Working pressure: 3 bar - 10 bar
- > Maximum pressure: 10 bar



(Ø1) SCOLAS - SG418030
(Ø2) SCOLAS - SG418026
(Ø3) SCOLAS - SG418027



(Ran) SCOLAS - SG418029



(Ø4) SCOLAS - SG418028

Adhesives Pressure

For bead application of white glues and adhesives

Code

10151401

Especially for bead applications of glues and adhesives. White glue application for the wood industry.

Teflon-coated body makes cleaning easy.

Incorporates a series of 1 and 2 mm. caps and product flow regulator.

The 3 mm. aircap, scoring aircap (to mark lines) and 4-aperture aircap (to apply glue to cavities) can be acquired as options.



HARDWARE AND DECORATION

Air filtration systems

Plus filters range



479 PLUS

Large air flow, highly reliable regulating system, high quality pressure gauge, the best materials. Do not undervalue your small painting works or reduce the life of your pneumatic tools by using poor quality regulators with no filtration capacity. Adaptable to any size of hose. It comes with reducers. Produced from a solid aluminium block, great filtration capacity with check window for waste particle and semi-automatic drain system, it has everything in a minimum space.

Code	Version
10730401	1/2"
10730402	3/8"
10730403	1/4"



970 PLUS

The virtues of the regulator-filter 479 is now united to a lubricating element, setting itself apart as specific workshop equipment. It supplies clean, lubricated air to all your tools.

Accurate control of the oil content by means of a "drop-by-drop" hand regulator, zero pressure loss thanks to the in-line design, maximum reliability and productivity in the most compact package.

Code	Version
10750301	1/2"
10750302	3/8"
10750303	1/4"

TECHNICAL DETAILS

- > Dimensions: 229 x 73 x 115 mm
- > Weight: 886 g
- > Brass filter: 40 microns
- > Air flow: 1.700 L/min
- > Couplings: 1/2", 3/8", 1/4"
- > Max. working pressure: 10 bar
- > Draining system: semi-automatic



The most compact solution for the small workshops, industry or priming and preparation areas

TECHNICAL DETAILS

- > Dimensions: 229 x 148 x 115 mm
- > Weight: 1,450 g
- > Brass filter: 40 microns
- > Air flow: 1,700 L/min
- > Connections: 1/2", 3/8", 1/4"
- > Maximum working pressure: 10 bar
- > Draining system: semi-automatic



Maximum reliability

Assure the supply of clean and properly lubricated air to tools and pneumatic engines

Regulator 430 PLUS

Code	Version
10740501	1/2"
10740502	3/8"
10740503	1/4"



High precision

TECHNICAL DETAILS

- > Dimensions: 107 x 65 x 115 mm
- > Weight: 544 g
- > Air flow: 1,200 - 1,700 L/min
- > Couplings: 1/2", 3/8", 1/4"
- > Max. working pressure: 10 bar



Air filter 439 PLUS

Code	Version
10720401	1/2"
10720402	3/8"
10720403	1/4"



TECHNICAL DETAILS

- > Dimensions: 158 x 73 x 73 mm
- > Weight: 553 g
- > Air flow: 1,700 L/min
- > Couplings: 1/2", 3/8", 1/4"
- > Max. working pressure: 10 bar
- > Draining system: semi-automatic



Lubricator 437 PLUS

Code	Version
10710301	1/2"
10710302	3/8"
10710303	1/4"



TECHNICAL DETAILS

- > Dimensions: 165 x 73 x 73 mm
- > Weight: 482 g
- > Oil filter
- > Air flow: 1,920 L/min
- > Couplings: 1/2", 3/8", 1/4"
- > Max. working pressure: 10 bar



FR, FRL and RA



FR
Air-flow regulator

Painting or blasting lines in the metal, wood, plastic, ceramic etc. industries.

Air filtration and regulation for machinery in general where a supply of clean air is required.

Code	Version	Model
40000181	1/2" F - BSP	FR 404
40000180	3/8" F - BSP	FR 303
40000179	1/4" F - BSP	FR 302

TECHNICAL DETAILS

- > Flow 1,500 L/min.(FR303, FR302)
- > Flow 2,050 - 2,100 L/min. (FR404)
- > Dimensions: 53 x 211 mm. (FR303, FR302)
- > Dimensions: 70 x 262.5 mm. (FR404)
- > Filter of particles larger than 40 microns
- > Centrifugal water filtration.
- > Semi-automatic draining system.
- > High precision regulation.
- > Deposit capacity: 30 cm².
- > Polycarbonate deposit with metallic protection.
- > Operating temperature: -10 to 60°C.



FRL
High air-flow regulating filter

Compact line. Clean, filtered air and lubrication suitable for all types of machinery provided with pneumatic motors.

Extends the life and optimises the performance of pneumatic machinery.

FRL 404: recommended for high air consumption tools and motors and for working with several tools at one time.

Code	Version	Model
40000224	1/2"	FRL 404
40000223	3/8"	FRL 303
40000222	1/4"	FRL 302

TECHNICAL DETAILS

FRL 404 (high flow)

- > Dimensions: 154 x 262.5 mm.
- > Incorporates the following elements: FA 404 regulating filter + LA 4040 lubricator.

FRL 303 and 302

- > Dimensions: 117 x 211 mm.
- > Incorporates the following elements: FA 303 regulating filter + LA 303 lubricator.
- > Incorporates the following elements: FA 302 regulating filter + LA 302 lubricator.



RA
High precision air-flow regulator

Constant pressure and flow for all types of machinery.

Quality pressure gauge incorporated.

Code	Version	Model
40000187	1/2" F - BSP	RA 404
40000186	3/8" F - BSP	RA 303
40000185	1/4" F - BSP	RA 302

TECHNICAL DETAILS

- > Dimensions: 53 x 127.5 mm (RA404) / 70 x 149.5 mm (RA303/302)
- > Working pressure range: 0 - 10 bar
- > Air flow: (RA303/302) 1,500 L/min. (RA404) 2,050 - 2,100 L/min.

Quick couplings and connectors

FEATURES
NEW RANGE

Couplings and connectors



Max. pressure: 25 bar
Europerfil max. pressure: 15 bar
Aluminum plugs max. pressure: 20 bar

The new range of plugs SAGOLA presents cutting-edge design. SAGOLA offers a wide range that gives cover 100% of market requirements. Is incorporated security versions. All steel and aluminum plugs are BSP; Males (BSPT) and females (BSPP).

Plug body made of treated steel and valve made of brass. So a guaranteed life of more than 1,500,000 uses. The new range of plugs SAGOLA incorporates a handle made of composite, which gives a high resistance to both attrition and drag. Attrition resistance tested in more than 48,000 impacts and the equivalent to a crawl 12 km.

1. SHOOTER made of composite with a weight reduction and extraordinary durability against impact (48,000 impacts test).

2. BODY PLUG made of steel with anticorrosive treatment.

3. VALVES Brass valve manufactured, specific to work at high temperatures.

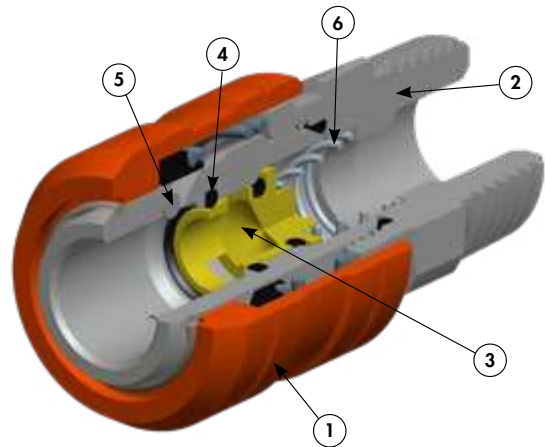
4. JOINTS Nitrile Butadiene. Operating temperature range: -20°C +100°C.

5. PINS made of tempered high strength steel that guarantees the absence of attrition.

6. SPRING made of stainless steel.



The quick couplings are supplied in individual blister packs



Ultra-Light range. Ultra-light weight. 45 g.

US-Mil range

ULTRA LIGHT

US-Mil RANGE

Flow: 68 m³/h. - 1,133 L/min.
Body and shooter made of high strength aluminum. Valve made of brass. Pins made of high strength steel.
Air coupling: 1/4"



Code	Version
11010531	BSPT 1/4"



Code	Version
11010431	BSPP 1/4"



Code	Version
11010629	Barb. 8 mm.

US-Mil range

Air coupling: 1/4" Flow: 68 m³/h. - 1,133 L/min.

US-Mil RANGE

Simple shutter plug, made of hardened steel with gasket made of Nitrile Butadiene. Its excellent sealing prevent dirt penetrates inside. High strength sleeve.



Code	Version
11010524	BSPP 1/4"
11010525	BSPP 3/8"
11010526	BSPP 1/2"



Code	Version
11010424	BSPP 1/4"
11010425	BSPP 3/8"
11010426	BSPP 1/2"



Code	Version
11010624	Espiga 8 mm.
11010625	Espiga 10 mm.

Code	Version
11010527	BSPP 1/4"
25 units	

Code	Version
11010427	BSPP 1/4"
25 units	

Code	Version
11010626	Barb. 8 mm.
25 units	

US-Mil range

SAFETY Plug

Air coupling: 1/4" Flow: 68 m³/h. - 1,133 L/min.

US-Mil RANGE

Plug with gasket made of Nitrile Butadiene and double effect opening. Anti-whiplash safety plug according to ISO-4414. Two movements "push-pull" to disconnect. High strength sleeve.



Code	Version
11010528	BSPT 1/4"
11010529	BSPT 3/8"
11010530	BSPT 1/2"



Code	Version
11010428	BSPP 1/4"
11010429	BSPP 3/8"
11010430	BSPP 1/2"



Code	Version
11010627	Barb. 8 mm.
11010628	Barb. 10 mm.



Quick couplings

Air coupling: 7.6 mm. Flow: 85 m³/h. - 2,000 L/min.

Euro-Profile range

Quick coupling

Euro Profile RANGE

Simple shutter plug, made of hardened steel with gasket made of Nitrile Butadiene. Its excellent sealing prevent dirt penetrates inside.



Code	Version
11010823	BSPT 1/4"
11010824	BSPT 3/8"
11010825	BSPT 1/2"



Code	Version
11010723	BSPP 1/4"
11010724	BSPP 3/8"
11010725	BSPP 1/2"



Code	Version
11010924	Barb. 8 mm.
11010923	Barb. 10 mm.

Euro-Profile range

SAFETY Plug

Air coupling: 7.6 mm. Flow: 85 m³/h. - 2,000 L/min.

Quick coupling

Euro Profile RANGE

Plug with gasket made of Nitrile Butadiene and double effect opening. Anti-whiplash safety plug according to ISO-4414. Two movements "push-pull" to disconnect. High strength sleeve.



Code	Version
11011323	BSPT 1/4"
11011324	BSPT 3/8"
11011325	BSPT 1/2"



Code	Version
11011423	BSPP 1/4"
11011424	BSPP 3/8"
11011425	BSPP 1/2"



Code	Version
11011523	Barb. 8 mm.
11011524	Barb. 10 mm.

Multi-Profile range

3x1 system. Compatibility: US-MIL/EUROPROFILE/ITALIANO PROFILE

Quick coupling

Multi-Profile RANGE

Flow: 85 m³/h. - 2,000 L/min. Simple shutter plug, made of steel with gasket made of Nitrile Butadiene. Its excellent sealing prevent dirt penetrates inside. Air coupling: 8 mm.



Code	Versión
11010826	BSPT 1/4"
11010827	BSPT 3/8"



Code	Versión
11010726	BSPP 1/4"
11010727	BSPP 3/8"



Code	Versión
11010925	Barb. 8 mm.
11010926	Barb. 10 mm.

Nitto range

ASIA-PACIFIC MARKET EXCLUSIVE PROFILE

Quick coupling

Nitto RANGE

Flow: 85 m³/h. - 2,000 L/min. Simple shutter plug, made of steel with gasket made of Nitrile Butadiene. Its excellent sealing prevent dirt penetrates inside. Air coupling: 8 mm.



Code	Versión
11011701	BSPT 1/4"
11011702	BSPT 3/8"



Code	Versión
11011801	BSPP 1/4"
11011802	BSPP 3/8"



Code	Versión
11011901	Barb. 8 mm.
11011902	Barb. 10 mm.

US-Mil range

BRASS Plug

Quick coupling

US-Mil RANGE-Spec C-4109

600 L/min. Versatile. Simple blocking plug made of brass with Buna N gasket. Its excellent sealing avoids the penetration of impurities to the inside. Fully compatible with earlier lines of SAGOLA plugs.



Code	Version
11010520	BSPP 1/4"
11010521	BSPP 3/8"
11010522	BSPP 1/2"



Code	Version
11010420	BSPP 1/4"
11010421	BSPP 3/8"
11010422	BSPP 1/2"



Code	Version
11010621	Barb. 8 mm.
11010622	Barb. 10 mm.

Code	Version
11010523	BSPP 1/4"
25 units	

Code	Version
11010423	BSPP 1/4"
25 units	

Code	Version
11010623	Barb. 8 mm.
25 units	

Quick Couplings, Threaded Couplings

FEATURES
Couplings and connectors
SIZE 2

The size 2 plug is the most commonly used push plug in paint and body shops, and also in industry for the connection of all kinds of pneumatic tools. Silicone free.
All springs, valves and pins made of stainless steel. All SAGOLA connectors are manufactured in high carbon steel making them extremely strong and stress resistant.

US-Mil range

Connector without blocker, made of steel.

Quick coupling
US-Mil-Spec C-4109 RANGE
(2 units) ID 5.5 mm.
Fully compatible with earlier lines of SAGOLA plugs. Made of high-carbon steel. Anti-corrosive nickel etched finish. Connector without blocker.



Code	Version
11020420	BSPT 1/4"
11020421	BSPT 3/8"
11020422	BSPT 1/2"
Code	Version
11020423	BSPT 1/4"
50 units	



Code	Version
11020520	BSPP 1/4"
11020521	BSPP 3/8"
11020522	BSPP 1/2"
Code	Version
11020524	BSPP 1/4"
50 units	



Code	Version
11020621	Barb. 8 mm.
11020622	Barb. 10 mm.
Code	Version
11020623	Barb. 8 mm.
50 units	

Orientable quick coupling
with exclusive rotating dial system, for greater freedom of movement.



Code	Version
11020523	BSPP 1/4"



Euro-Profile range

Maximum performance and durability in high production workshops.

Quick coupling
Euro Profile RANGE (2 units)
High flow. ID 7-8 mm.
Made of high-carbon steel. Anti-corrosion blue galvanized finish. Connector without blocker.



Code	Version
11020710	BSPT 1/4"
11020721	BSPT 3/8"
11020722	BSPT 1/2"



Code	Version
11020810	BSPP 1/4"
11020821	BSPP 3/8"
11020822	BSPP 1/2"



Code	Version
11020921	Barb. 8 mm.
11020922	Barb. 10 mm.

Nitto range

ASIA-PACIFIC MARKET EXCLUSIVE PROFILE

Quick coupling
Nitto RANGE (2 units)
High flow. ID 7-8 mm.
Made of high-carbon steel. Anti-corrosion blue galvanized finish. Connector without blocker.



Code	Version
11021001	BSPT 1/4"
11021002	BSPT 3/8"



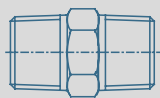
Code	Version
11021101	BSPP 1/4"
11021102	BSPP 3/8"



Code	Version
11021201	Barb. 8 mm.
11021202	Barb. 10 mm.

Threaded couplings

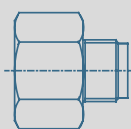
Connection coupling
(2 units)
High flow.
Made in brass. Anticorrosive treatment.



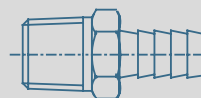
Code	Version
11000101	BSPT 1/4" M - M
11000102	BSPT 1/2" M - M
11000103	BSPT 3/8" M - M



Code	Version
11000106	BSPP 1/2" F at 3/8" M
11000107	BSPP 3/8" F at 1/4" M
11000108	BSPP 3/8" M at 1/4" F



Code	Version
11000104	BSPT 1/2" M at 3/8" M
11000105	BSPT 3/8" M at 1/4" M
11000112	BSPT 1/2" M at 3/8" F
11000113	BSPT 1/2" M at 1/4" F



Code	Version
11000109	BSPT 1/2" M at 8 mm. barb.
11000110	BSPT 3/8" M at 8 mm. barb.
11000111	BSPT 1/4" M at 8 mm. barb.



Product and Air hoses | Hoses

Anti-static compressed air hose

Ideal for painting in the booth

Light, flexible and manageable

Twist free



Anti-static EPDM rubber hose with exterior textile reinforcement. Ideal for painting in the booth.

High security crimped ends able to bear the high temperatures of the booth. No need to use flanges, avoiding that they release or cause leaks due to dilation.

TECHNICAL DETAILS

- > Working temperature: -40°C to +120°C.
- > Working pressure: 20 bar
- > Breaking strain 80 bar
- > Anti-stick exterior
- > Internal diameter 8 mm. Valid for to be used with HVLP high flow guns
- > Meets Regulation 97/23/CE
- > 1/4" H couplings with conical closure and flare fitting for easy assembly of the push connector
- > Conducting pipe < 1 M Ω
- > Max. temperature: 120°C
- > Tough (breaking strain 80 bar)

Code	Version
56414014	2.5 m. 6 x 12 mm.
56414024	6 m. 8 x 15 mm.
56414025	11 m. 8 x 15 mm.
56414027	16 m. 8 x 15 mm.
56414026	26 m. 8 x 15 mm.

100 m. roll of hose

Multi-use hose

Meets Regulation 97/23/CE



Multi-use thermo rubber hose with Polyester outer reinforcement. Compact with excellent performance and oil resistance.

TECHNICAL DETAILS

- > 8 x 15 mm. air hose in 100 metre rolls
- > Thermal cork hose with exterior polyester reinforcement
- > Working pressure: 20 bar
- > Breaking strain 60 bar
- > Working temperature: -15°C to +60°C

Code
52450008

Antiestatic PRODUCT hose for Pots and DM Aerographics. 8x16 mm. F+F. 3/8". Waterborne/Solvent

Code	Version
56414116	6 m. Antiestatic Product hose
56414117	11 m. Antiestatic Product hose
56414115	16 m. Antiestatic Product hose

Aerographic PRODUCT hose for Pots. High viscosity 20x26 mm. F+F. 3/4". Waterborne

Code	Version
56414111	5 m. Aerographic Product hose
56414112	10 m. Aerographic Product hose
56414113	15 m. Aerographic Product hose
56414101	5 m. Aerographic Product hose. 25x33 mm. Kit Kamlock. Waterborne



Air + product hose set + cover. Aerographics Ligeras. Antiestatic AIR hose. 8x15 mm. PRODUCT hose with adapter 3/8"

Code	Version
56414039	5 m. Air + product hose set 6x8 mm. + cover
56414044	7,5 m. Air + product hose set 6x8 mm. + cover
56414040	10 m. Air + product hose set 6x8 mm. + cover
56414041	15 m. Air + product hose set 6x8 mm. + cover
56414042	20 m. Air + product hose set 6x8 mm. + cover

Spray gun AIR + PRODUCT hose

Code	Version
86463818	5 m. Aerographic hose (6 mm. + 8 mm.). HVLP
86463819	10 m. Aerographic hose (6 mm. + 8 mm.)
86463891	10 m. Aerographic hose (8 mm. + 10 mm.). Adhesives
86463894	5 m. Aerographic hose (8 mm. + 3 mm.). Dyes

FFP2 Masks, Classic MP2 and MP 300



Masks FFP2

Self-filtering paper masks

Code	Version
40000263	M200
40000264	M210 with valve



M210 model



M200 model

For solid and liquid particles of low and medium toxicity. For use against non-ferrous metal dust, welding metal fumes, gasses and mists NOT INCLUDING materials such as lead, aluminium and manganese.

Double elastic tape. Flexible metallic strip for adjustment to nose, area.

NPF (nominal protection factor): 12 (concentration permitted in the atmosphere 12 times the TLV)

TECHNICAL DETAILS

M200 Model

> Comes in a 20-unit box.

M210 Model

> Comes in a 10-unit box.

> Built-in exhalation valve to make breathing easier.

Classic MP2

Mask with double charcoal filter against organic and solvent fumes

Facial housing of thermoplastic rubber

Elastic tape fastener

Code
14810201

MP300

Mask with double charcoal filter against organic and solvent fumes

Facial housing of thermoplastic rubber

Elastic tape fastener

Code
14810301



Double air inlet, allowing higher flow inhalations, for easier breathing.

Each of the built-in chemical filters of the mask is classified as "filter against fumes, A type, class 1" according to EN 141, and are also certificated separately.

79mm diameter cylinder shape filter.

Approved: FBC – 9086 A.

Double air inlet, allowing higher flow inhalations, making easier to breathe.

Suitable to be used in atmospheres contaminated with fumes and vapours with a boiling point over 65°C, like solvents and paints, offering a proper protection (with oxygen content in the air over 17% in volume).

Each of the built-in chemical filters of the mask is classified as "filter against fumes, A type, class 1" according to EN 141, and are also certificated separately.

TECHNICAL DETAILS

- > Breathing resistance:
 - To air Flow 25 x 2 L/min
 - To inhalation: 0.52 mbar
 - To exhalation: 1.64 mbar
- > To continuous flow inhalation:
 - 30 L/min flow: 0.11 mbar
 - 95 L/min flow: 0.33 mbar
- > CO2 content (death space): 0.60%
- > Escapes to the interior (hermeticity): < 2

SPARE Paint filter against organic and solvent fumes. 10 units. Classic MP2 and MP300 models.

Code
56418052



Approved
FCB-9086 A
EN 140

1200 X Polisher, L range Sanders and Scissor Rack

1200 X Polisher

Electric angular polisher,
electronic

For polishing tasks on
vehicles, wood and decoration.



Code

40000507

Code

Polishing beret

49000109

Code

Polishing plate

49000110

TECHNICAL DETAILS

- > Voltage: 220 V/ 50 Hz
- > Power: 1,200 w
- > Disk: 180 mm.
- > Adjustable speed: 600 - 3,000 rpm.
- > Weight: 3.2 kg.

L Series sanders

High performance sanders

Extremely high finish quality

Light, compact and powerful

No surface
contamination

If you are looking for scratch-free quality, you can trust the "L" range.

Designed for comfortable operation, "L" range sanders are the reference in low vibration and high performance tools.

Code	Version
40000232	L505 Pneumatic Orbital Sander for cutting down and quick setting
40000231	L252 Pneumatic Orbital Sander for quality finishes
40000230	L252R Pneumatic Orbital Sander for fine finishes, small size



L505 Model

L252 Model

L252R Model

Scissor Rack

Manageable and light

Holder for parts under repair or painting with sponge rollers to avoid damage to parts.

Curved legs designed for use on grid floors.



Code

40000250

Air flow regulators

Flow regulator RC2

Pressure gauge flow regulator. Exact input pressure gun. High quality gauge green scale for high transfer guns.

Code
40000335



Air flow regulator kit

Accurate and economical. Válido for pneumatic tools and gear.

Code
56418417



Magnetic Stands SP1 and SP2

Magnetic stand for 1 (SP1) or 2 (SP2) spray guns. Solvent-proof paint. Supports PPS type adapters. Maximum robustness. High holding power due to two powerful magnets.

Code	Version
40000245	SP1
40000246	SP2

SP1 Model

SP2 Model



Ford 4 viscosimeter

Code
56418001



Accessories for cleaning and maintenance

Cleaning kit

Complete cleaning set, including one brush for outside cleaning, and rods of different sizes for all the inner paths of the spray gun. Supplied in a practical show case.



Code
40000086

Lubricant grease

Natural grease, specially made for spray guns and painting equipments moving parts lubrication. High consistency, even under extreme temperatures. Long lasting, it doesn't lose properties over the time. Easy to open 100 ml. can.



Code
56418589

Gravity deposits and Filters

Code	Name
KITS ACCESORIOS - Pistolas Gravedad	
56418084	0.65 L. Gravity Deposit Kit - without filter
56418085	0.65 L. Gravity Deposit Kit (4100Xtreme, 3300GTO, ClassicPro XD)
56418420	0.65 L. Gravity Deposit Kit (Classic Lux)
56418479	5 Product Filter Kit (Gravity) (474)
56418017	5 Product Filter Kit (Gravity) (Classic Lux)



Suction Deposit Gaskets and Filters

Code	Name
KITS ACCESORIOS - Suction spray guns	
56418074	Suction Deposit 4100/3300GTO/Classic Pro XD
56418014	10 Product Filter Kit (Suction)
56418013	5 Suction Spray Gun Anti-drip Lid Kit
56418509	Deposit Closure Flanged Washer



Pressurizer kit for gravity spray guns.

Gravity cup pressure kit for high viscosity materials spraying. Non-return valve included.

Code
56418513



Code	Name
OTHER KITS AND ACCESSORIES	
56418481	Air Valve Kit 3300 GTO, 4100 GTO
56418494	Air Gasket Replacement Kit (6 units) 4100/3300 GTO/Classic Pro XD



The **aircap model** is vital to achieve the desired results. The type of product we are going to apply and the application system we are going to use must both be taken into account when selecting an aircap. Correctly combining the aircap with the adequate nozzle and needle kit, the desired spray quality will be obtained.

High transfer aircaps

Code	Aircaps	Spray gun model	System Transfer	Application	Nozzle+Needle mm.	Air consumption L/min. (2 bar)	flow g/min.	Fan pattern average mm.
56418279	21 EPA	Classic Pro XD	EPA 65%	Finishes, primers	1.4 - 1.8	210	200	250

Conventional Spray Aircaps

Code	Aircaps	Spray gun model	System Transfer	Application	Nozzle+Needle mm.	Air consumption L/min. (2 bar)	flow g/min.	Fan pattern average mm.
56418278	15	Classic Pro XD	Conv. 50%	Finishes, primers	1.4 - 1.8	180	200	230
56418280	25	Classic Pro XD	Conv. 50%	Thick primers	2.0	260	200	300
56418282	36	Classic Pro XD	Conv. 50%	Intermediate coats, thick products, glues	2.5	320	300	285
56418281	28	Classic Pro XD	Conv. 50%	High viscosity, gun-applied mastics, cast iron effect	2.8	320	350	260

Nozzle + Needle Kit

Code	Name	Spray Gun Range
10011254	Nozzle + Needle Kit 1.4	Classic Pro XD
10011255	Nozzle + Needle Kit 1.6	Classic Pro XD
10011256	Nozzle + Needle Kit 1.8	Classic Pro XD
10011257	Nozzle + Needle Kit 2.0	Classic Pro XD
10011258	Nozzle + Needle Kit 2.2	Classic Pro XD
10011259	Nozzle + Needle Kit 2.5	Classic Pro XD
10011260	Nozzle + Needle Kit 2.8	Classic Pro XD
10011370	Nozzle + Needle Kit + Aircap 1.6	Classic Lux Gravity
10011371	Nozzle + Needle Kit + Aircap 1.8	Classic Lux Gravity
10011372	Nozzle + Needle Kit + Aircap 2.0	Classic Lux Gravity
10011373	Nozzle + Needle Kit + Aircap 2.5	Classic Lux Gravity
10011374	Nozzle + Needle Kit + Aircap 1.6	Classic Lux Suction
10011375	Nozzle + Needle Kit + Aircap 1.8	Classic Lux Suction
20010148	Nozzle + Needle Kit 2.0	Classic Smooth
20010149	Nozzle + Needle Kit 2.5	Classic Smooth
20010145	Nozzle + Needle Kit 1.4	Classic Lux Pressure
20010147	Nozzle + Needle Kit 1.8	Classic Lux Pressure
10011376	Nozzle + Needle Kit 0.8	474
10011377	Nozzle + Needle Kit 1.0	474
20010112	Nozzle + Needle Kit 2.2	4001 Gotele Pressure
20010113	Nozzle + Needle Kit 2.8	4001 Gotele Pressure
20010114	Nozzle + Needle Kit 3.2	4001 Gotele Pressure
20010115	Nozzle + Needle Kit 4.0	4001 Gotele Pressure
10011378	Nozzle + Needle Kit 2.8	4022 Gotele Pressure
10011379	Nozzle + Needle Kit 3.2	4001 Gotele Pressure
49000431	Nozzle + Needle Kit 1.4	Junior G
49000432	Nozzle + Needle Kit 1.6	Junior G
49000433	Nozzle + Needle Kit 1.8	Junior G



SAGOLA®



SAGOLA
65
ANNIVERSARY
1955-2020



MEXICO

Calle 2 · Número 5C · Bodega 6
Parque Industrial Benito Juárez
C.P. 76120 Santiago de Querétaro
(Querétaro) MEXICO
Tel.: (+52) 442 388 5099
sagolamexico@sagolamexico.mx
www.sagolamexico.mx

COLOMBIA

Calle 30a · Número 6-22 · Piso 32
C.P. 110311 Bogotá COLOMBIA
Tel.: (+57) 1 - 7 43 68 30
sagolacolombia@sagolacolombia.co
www.sagolacolombia.co

SAGOLA 

SPAIN

Urartea, 6 · 01010
Vitoria-Gasteiz (Álava) SPAIN
Tel.: (+34) 945 214 150
sagola@sagola.com
www.sagola.com

