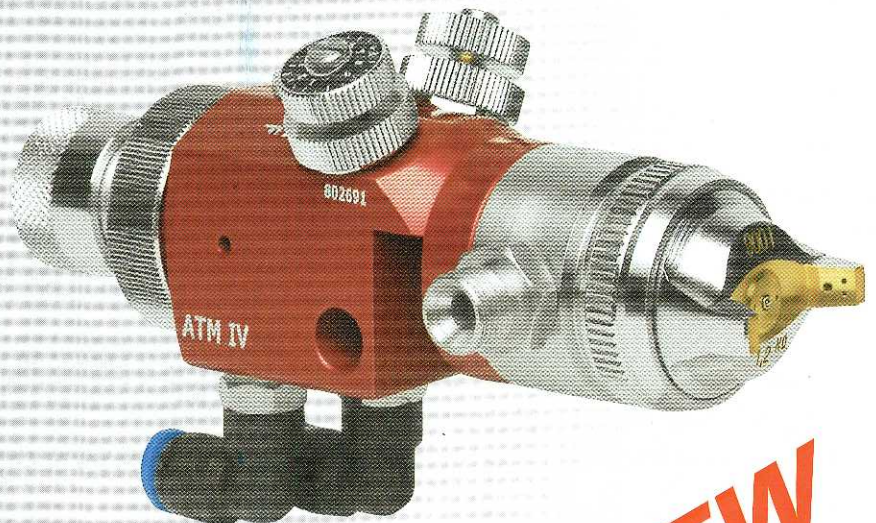


OPTIMA ATM IV



NEW

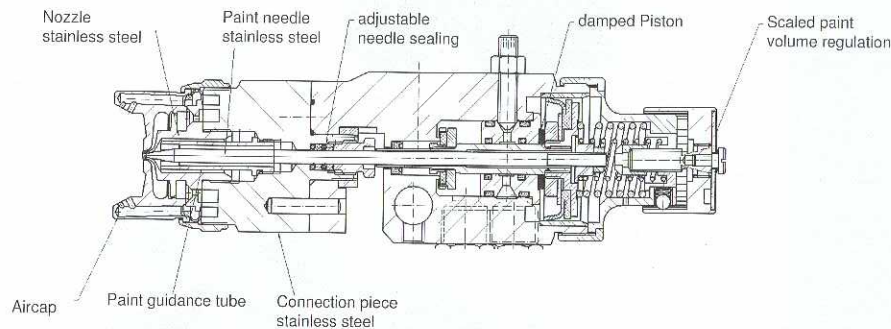
For highest requirements

OPTIMA ATM IV
Conventional and LVLP

OPTIMA ATM IV

Conventional and LVLP

Bersch & Fratscher's new automatic paint spray gun meets the highest requirements in all application ranges. This small spray gun is space-saving, has a perfect spray pattern and is flexible in adjustment and application. The spray gun is available in two versions, OPTIMA ATM IV conventional and OPTIMA ATM LVLP (Low Volume Low Pressure) overspray reduced technology. All parts coming into contact with the material, i.e. the complete connection piece, paint needle and paint nozzle, are made of stainless steel. Thus these versions are ideally suited for water based lacquers and other aggressive materials. Two remarkable technical innovations are the new paint-guiding tube for circulation operation and a secondary spring for the piston. The new paint guiding-tube prevents the dropping of paint residue in the dead end spaces of the spray gun particularly when working with difficult materials. The package of secondary springs slows down the piston in its final position in order to prevent a hard contact of the spraying air seal which results in significantly less wear. More detailed regulations for round and flat spray pattern and for the material amount ensure exact adjustments. Air caps and nozzles ranging from 0.5 mm up to 3.0 mm guarantee perfect spraying results. The OPTIMA ATM IV - an automatic spray gun for real professionals.



Advantages:

- Complete material guidance made of stainless steel. Ideally suited for water based lacquers and aggressive materials.
- New paint guidance tube through the nozzle ensures that no paint residue remains in the spray gun or nozzle.
- Separate scaled adjustments for round and flat spray pattern.
- New detailed material adjustment ensures exact paint quantity regulation.
- Integrated secondary spring on piston prevents hard breaking of the spraying air seal resulting in less wear on the piston.
- Easy access to paint needle seal packing.
- Fast conversion from circulation to one line operation. With ball cock for flushing.

ATM IV



ATM IV LVLP



Technical data:

Dimensions : L x W x H	160x72x75 mm
Weight:	850 g (1 lb. 14 oz.)
Recommended input pressure:	2,0 – 2,5 bar (28.5 - 35.5 PSI)
Air consumption:	240 - 270 l/min / 8.5 - 9.5 cfm
Internal air cap pressure:	1.75 - 2.15 bar (25 - 30 PSI)
Order no.	1600

Technical data:

Dimensions : L x W x H	160x72x75 mm
Weight:(g)	850 g (1 lb. 14 oz.)
Recommended input pressure:	2,0 – 2,5 bar (28.5 - 35.5 PSI)
Air consumption:	260 - 305 l/min / 9.2 - 10.7 cfm
Internal air cap pressure:	0.75 - 1.25 bar (10 - 20 PSI)
Order no.	1601

Available nozzle diameters:

0,5mm - 0,8mm - 1,0mm - 1,2mm - 1,3mm - 1,4mm - 1,5mm - 1,6mm - 1,8mm - 2,0mm - 2,5mm - 3,0mm



Bersch & Fratscher GmbH

Seligenstädter Straße • D-63791 Karlstein am Main • Germany

Phone: +49 / 6188 787-46 • Fax: +49 / 6188 7341

E-Mail: export@bersch-fratscher.de • Internet: www.bersch-fratscher.de